

VS Solar Power Station Controller



- VS2024N** 12/24V 20A(for both PV and loads) Ordering code **XVS2024N**
VS3024N 12/24V, 30A(for both PV and loads) Ordering code **XVS3024N**
VS6024N 12/24/48V 60A(for both PV and loads) Ordering code **XVS6024N**



Caribbean Power SVG LTD

Representative Office

3 Quality Power

Isla Colon Bocas del Toro Panama

(+507) 68831743 VHF (68) www.3qualitypower.wordpress.com 3qualitypower@gmail.com



Technical Features

- 32 bit MCU with high speed and high performance
- 12 bit A/D high-precision sampling to ensure accuracy of sampling
- Nominal system voltage automatic recognition
- Adopt graphics dot-matrix LCD screen and HMI with 4 buttons, complete menu display and operation
- Humanized browsing interface, undertake every kinds of operating conveniently
- Full field control parameter and diversified load control mode setting and modification
- Gel, AGM(sealed) and Flooded battery type option
- Programmable parameters
- Real time clock display
- High efficient Series PWM charging, increase the battery lifetime and improve the solar system performance
- Use MOSFET as electronic switch, without any mechanical switch
- Widely used, automatically recognize day/night
- Adopt temperature compensation, correct the charging and discharging parameters automatically and improve the battery lifetime
- Electronic protection: Overheating, over charging, over discharging, overload, and short circuit.
- Reverse protection: any combination of solar module and battery

Caribbean Power SVG LTD

Representative Office

3 Quality Power

Isla Colon Bocas del Toro Panama

(+507) 68831743 VHF (68) [www. 3qualitypower.wordpress.com](http://www.3qualitypower.wordpress.com) 3qualitypower@gmail.com



Model no:		VS1024N	VS2024N	VS3024N	VS4024N	VS5024N	VS6024N
		VS2048N	VS3048N	VS4048N	VS5048N	VS6048N	
Electrical parameters	System voltage	12/24V auto work					
		12/24/48V auto work					
	Max. battery voltage	32V(12/24V)					
		64V(12/24/48V)					
	Max. PV voltage	48V(12/24V)					
		96V(12/24/48V)					
	Rated PV & load current	10A	20A	30A	40A	50A	60A
	Charge circuit voltage drop	≤0.24V					
	Discharge circuit voltage drop	≤0.16V					
	Self consumption	≤0.44mA					
communication	TTL232 level/RJ45 interface						
Remote temperature sensor interface	2ERJ-3.81						
Ground	Negative ground						
Environmental parameters	Working temperature	-20°C~+55°C					
	Storage temperature	-30°C~+80°C					
	Enclosure	IP30					
Mechanical parameters	Terminals(mm ²)	4	10	16	35	35	35
			16	35	35	35	35
	Net weight(g)	200	400	700	900	1200	1300
			700	900	1200	1300	1400

Note:

1. All the parameters are for AGM(sealed) battery only, for GEL and flooded, check the manual
2. All the parameters for 12V battery, for 24V battery, *2, for 48V battery, *4.

Over charge & discharge protection	Over voltage disconnect voltage	16V	Adjustable, 15-17V
	Charging limit voltage	15.5V	Adjustable, 14-16V
	Over voltage reconnect voltage	15V	Adjustable, 14-16V
	Equalize charging voltage	14.6V	Adjustable, 14.2-15.2V
	Boost charging voltage	14.4V	Adjustable, 13.8-15V
	Float charging voltage	13.8V	Adjustable, 13.2-14.2V
	Boost reconnect charging voltage	13.2V	Adjustable, 12.7-13.5V
	Low voltage reconnect voltage	12.6V	Adjustable, 12-13.2V
	Under voltage warning reconnect voltage	12.2V	Adjustable, 11.8-12.6V
	Under voltage warning voltage	12V	Adjustable, 11.6-12.4V
	Low voltage disconnect voltage	11.1V	Adjustable, 10.5V-11.8V
	Discharging limit voltage	10.8V	Adjustable, 10.5-11V

Caribbean Power SVG LTD

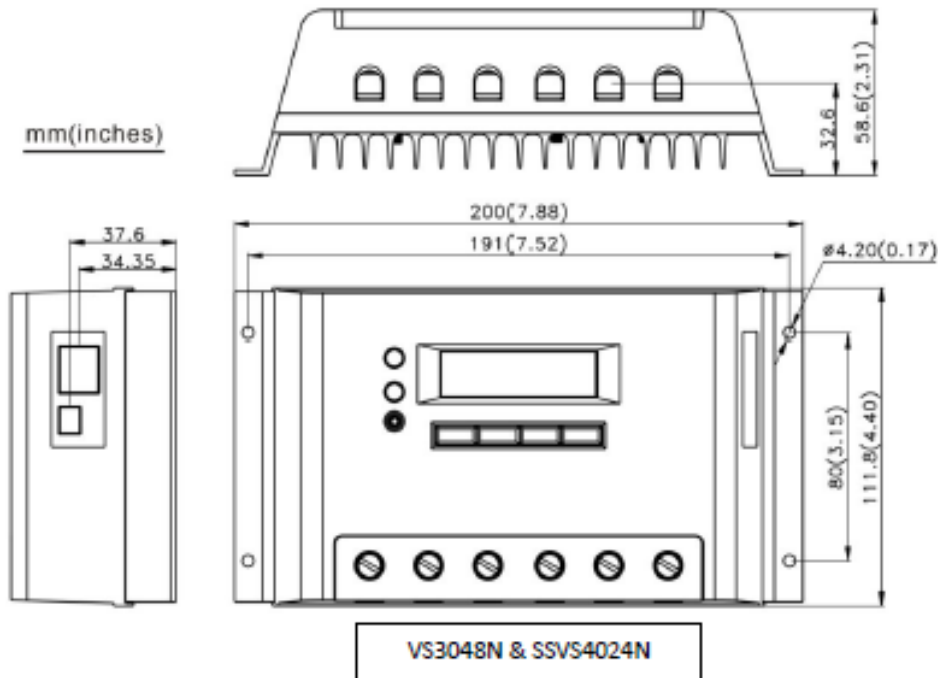
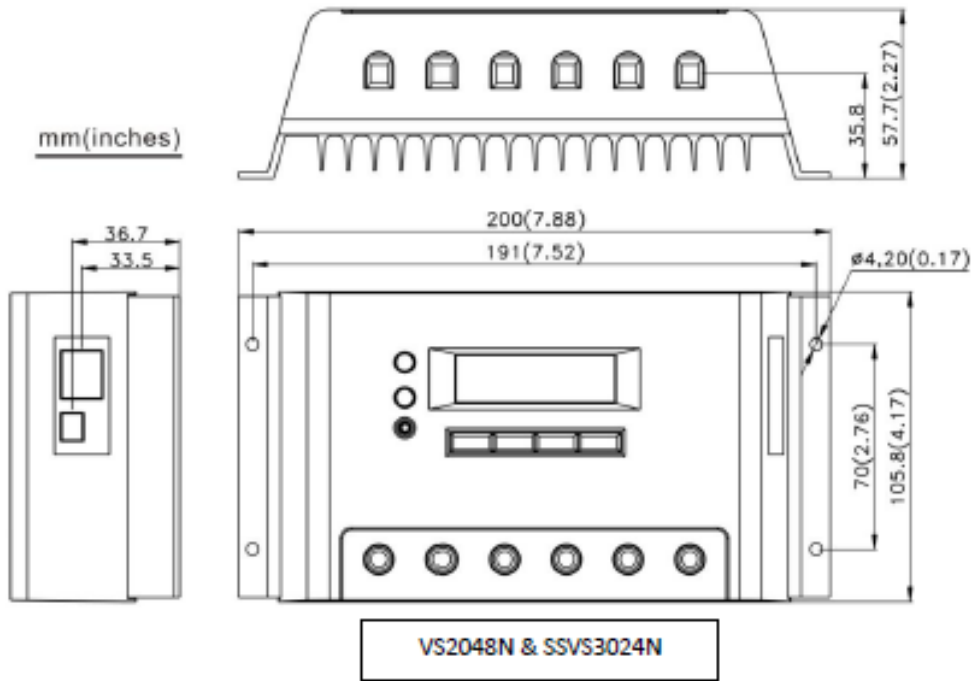
Representative Office

3 Quality Power

Isla Colon Bocas del Toro Panama

(+507) 68831743 VHF (68) www.3qualitypower.wordpress.com 3qualitypower@gmail.com





Caribbean Power SVG LTD

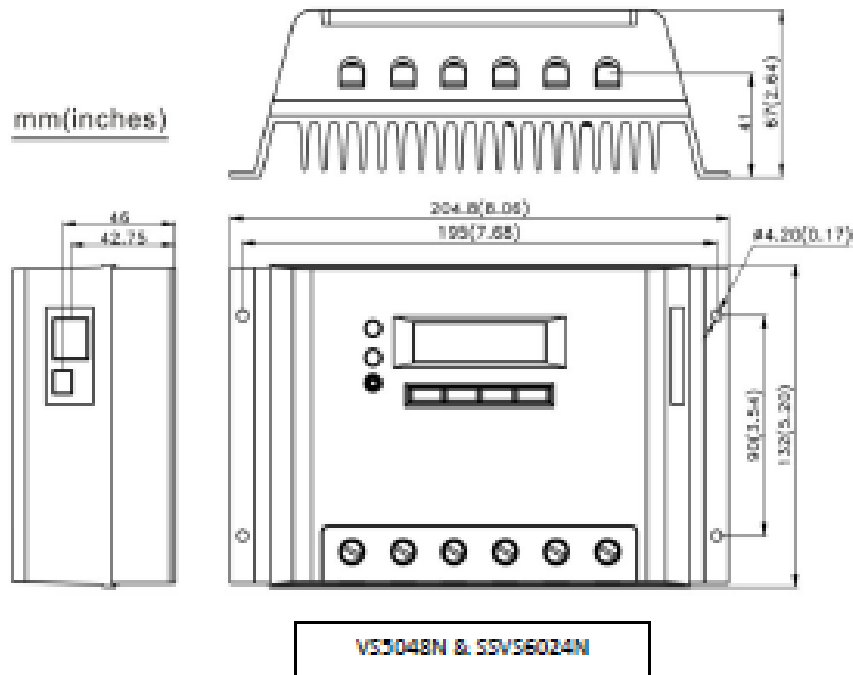
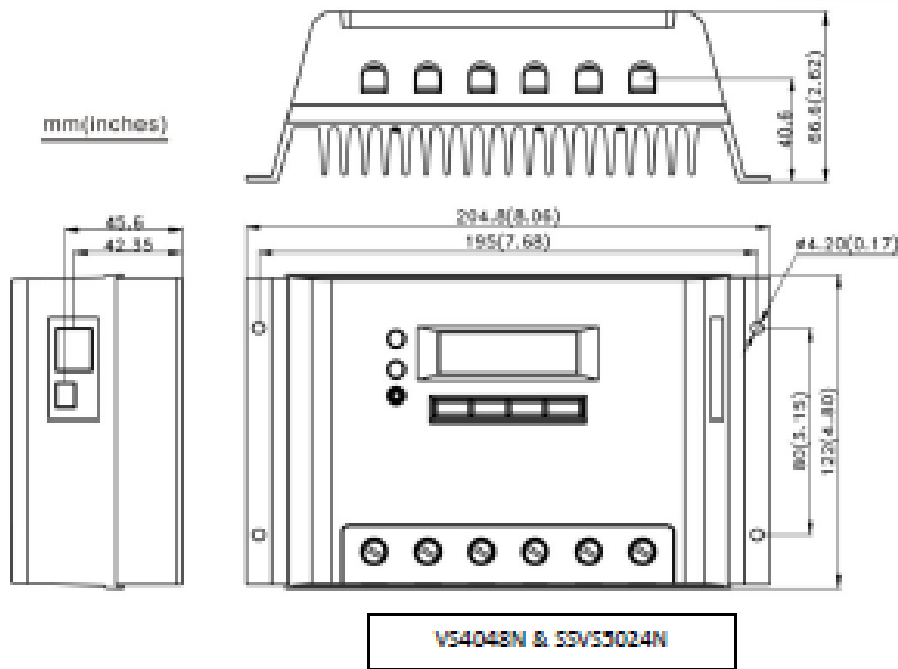
Representative Office

3 Quality Power

Isla Colon Bocas del Toro Panama

(+507) 68831743 VHF (68) www.3qualitypower.wordpress.com 3qualitypower@gmail.com





Caribbean Power SVG LTD

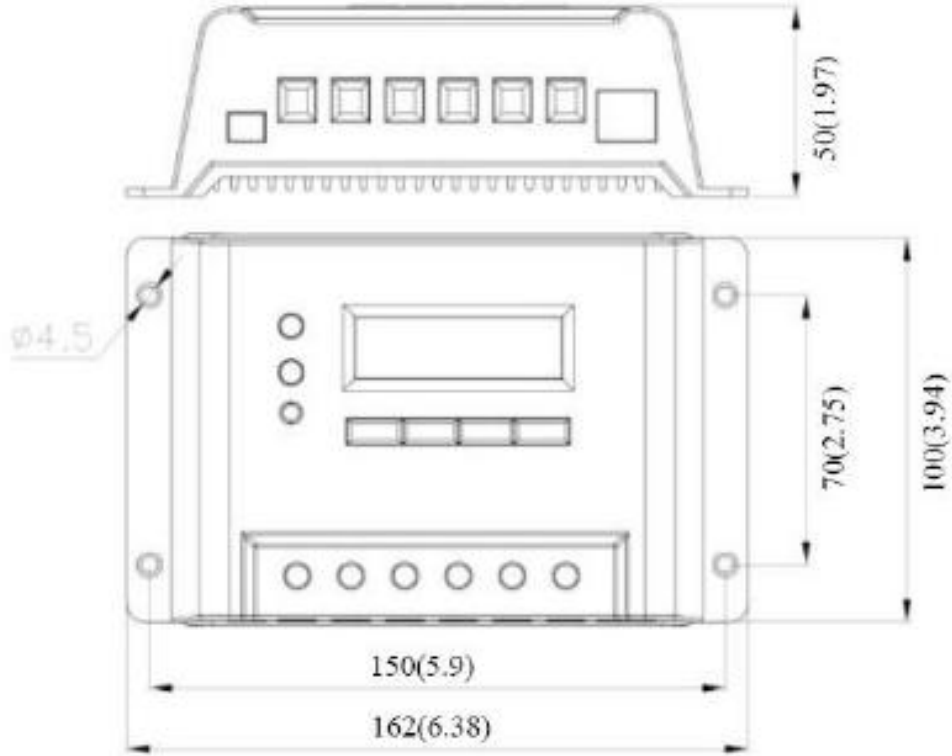
Representative Office

3 Quality Power

Isla Colon Bocas del Toro Panama

(+507) 68831743 VHF (68) www.3qualitypower.wordpress.com 3qualitypower@gmail.com





VS2024N, 12/24V, 20A

Caribbean Power SVG LTD

Representative Office

3 Quality Power

Isla Colon Bocas del Toro Panama

(+507) 68831743 VHF (68) www.3qualitypower.wordpress.com 3qualitypower@gmail.com

